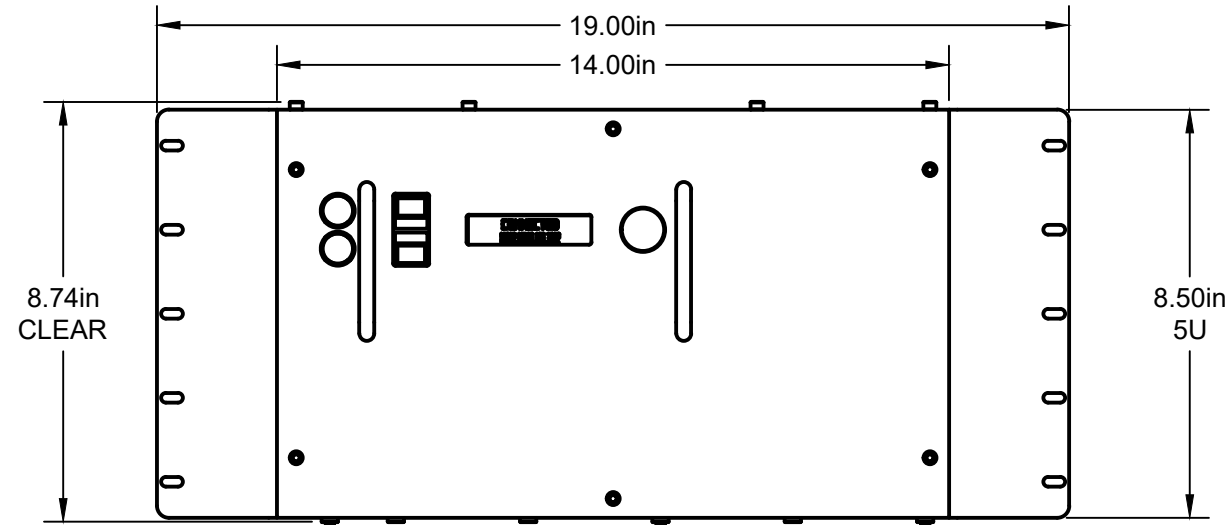
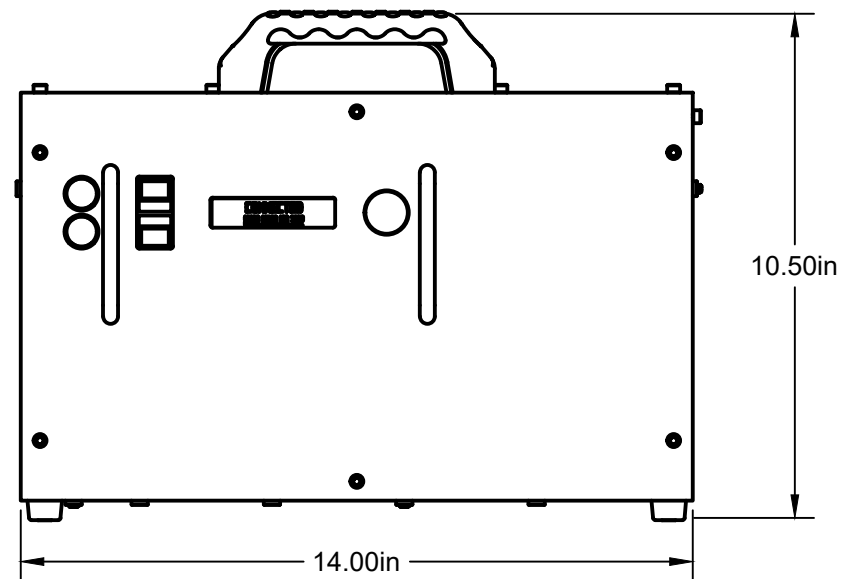
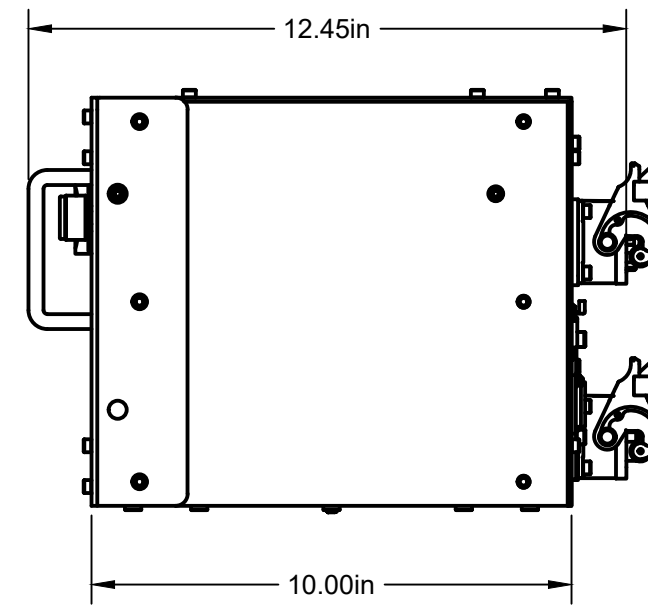


x/x = +/- 1/16"  
 .xx = +/- 0.010  
 .xxx = +/- 0.003



FRONT VIEW  
WITH RACK EARS



.FRONT VIEW  
RACK EARS REMOVED



PROJECT  
**Stagehand Apprentice**

TITLE  
**Overview**

This drawing is the property of Creative Conners, Inc. Copyright 2017. All rights reserved.

APPROVED	SIZE	CODE	DWG NO	REV
CHECKED	B			
DRAWN Mike Wade 9/9/2017	SCALE 1-1/2" = 1'-0"	WEIGHT	SHEET 1/2	